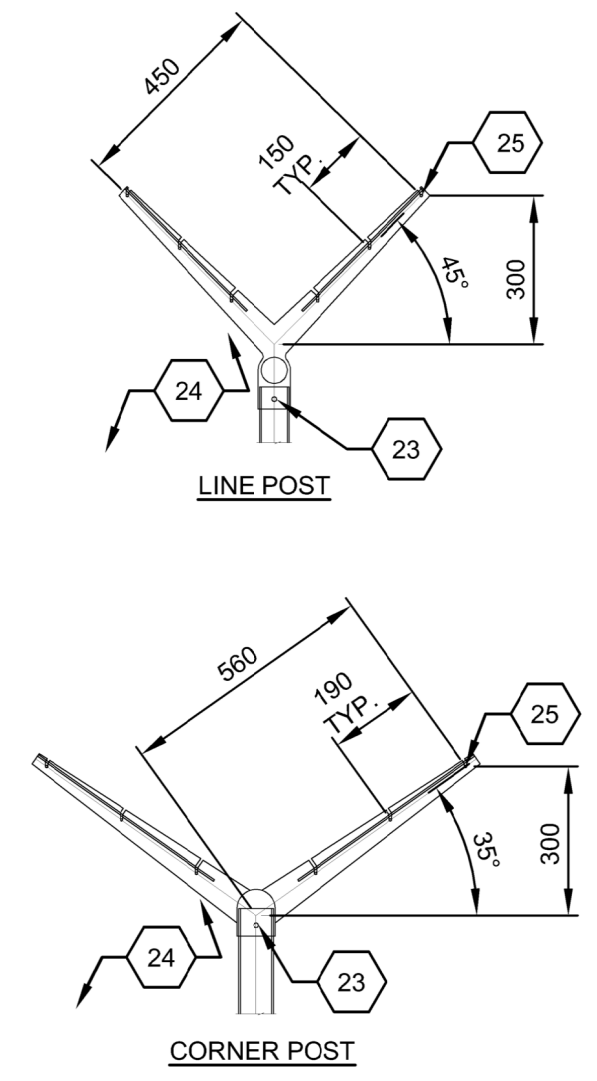
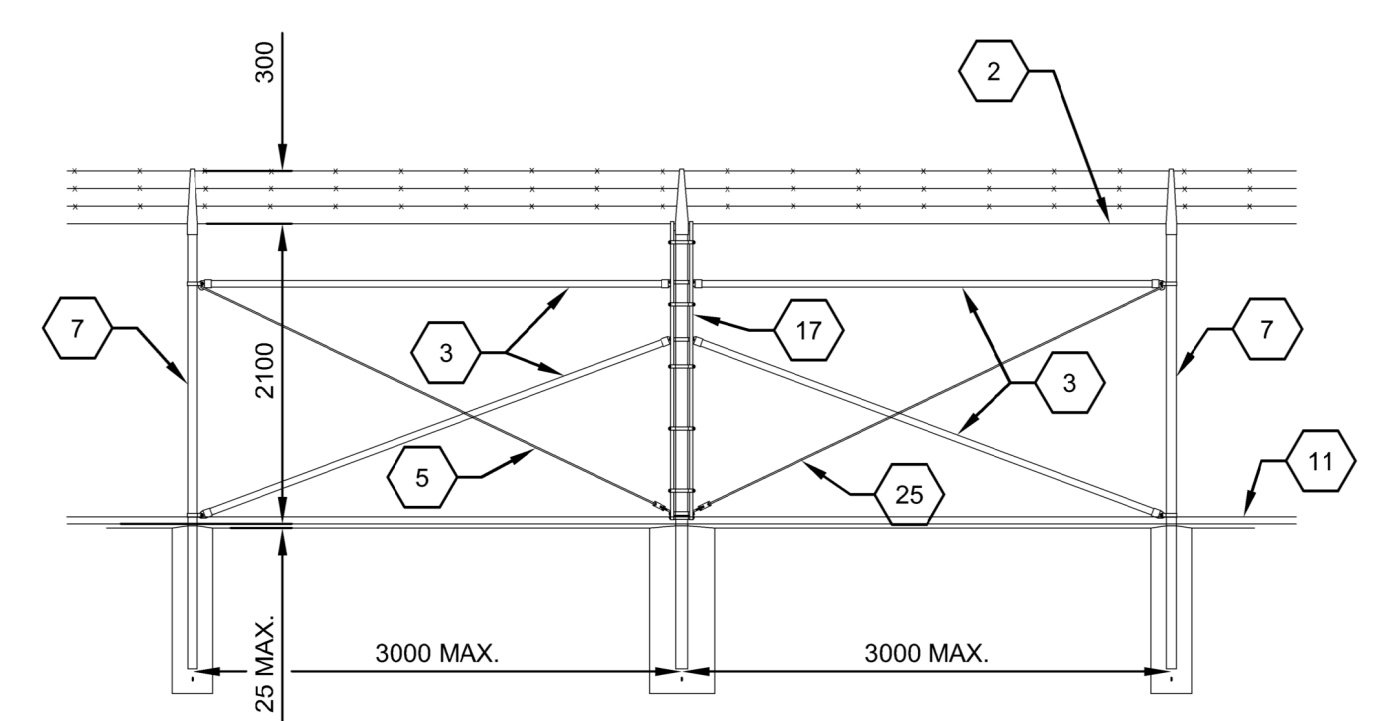


CHAIN-LINK SECURITY FENCE DETAIL
NTS



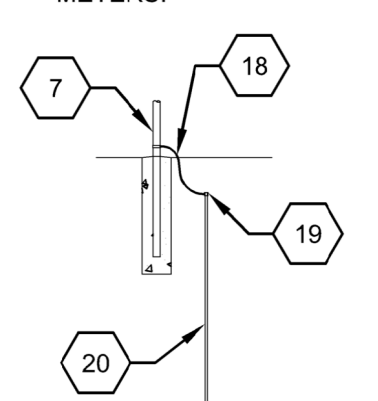
EXTENSION ARM DETAILS



BRACE PANEL DETAIL
NTS

STEEL POST SCHEDULE	
USE AND SECTION	MIN OUTSIDE DIMENSIONS (NOMINAL)
CORNER, END & PULL POSTS	
TUBULAR - ROUND	73 mm O.D.
LINE POSTS	
TUBULAR - ROUND	60 mm O.D.
TOP/BOTTOM BRACE RAILS	
TUBULAR - ROUND	42 mm O.D.
TUBULAR - SQUARE	38 mm SQ.
H-SECTION	41 x 38
C-SECTION (ROLL-FORMED)	41 x 32

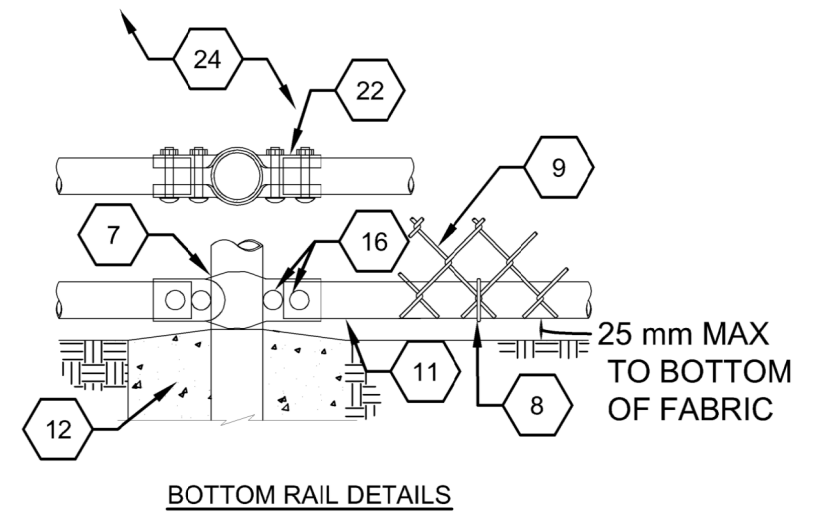
NOTE: PROVIDE BRACE PANEL WHENEVER STRAIGHT RUNS EXCEED 150 METERS.



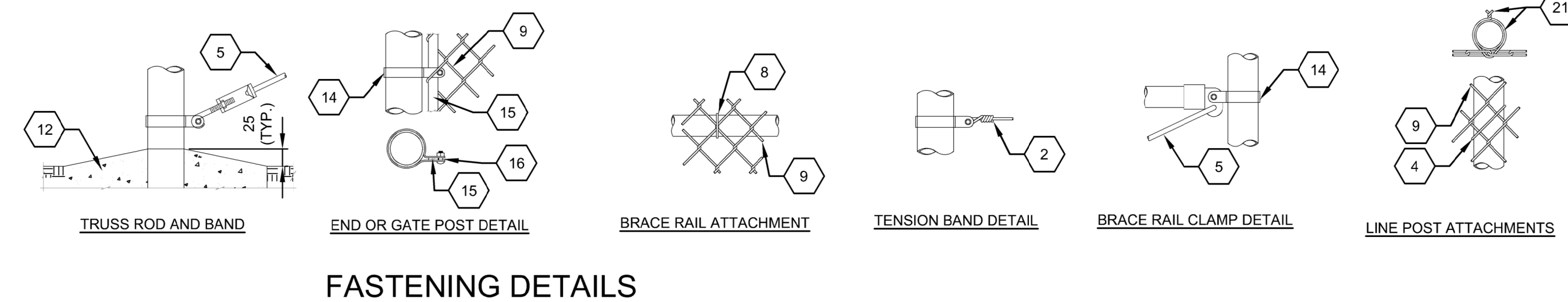
GROUNDING DETAIL

NOTES:

- A. WIRE TIES, RAILS, POSTS, AND BRACES MUST BE CONSTRUCTED ON THE SECURE SIDE OF THE FENCE ALIGNMENT. CHAIN-LINK FABRIC MUST BE PLACED ON THE SIDE OPPOSITE THE SECURE AREA.
- B. ONLY 9-GAGE GALVANIZED STEEL TIE WIRES MUST BE USED FOR FASTENING THE FENCE FABRIC TO FENCE POSTS AND RAILS. 16-GAGE, STAINLESS STEEL TIE WIRES MUST BE USED FOR FASTENING FENCE FABRIC TO TENSION WIRES. HOG RINGS MUST NOT BE ALLOWED ON SENSORED FENCES.
- C. BOTTOM RAIL MUST BE ATTACHED TO DOUBLE RAIL ENDS USING 10 mm CARRIAGE BOLTS AS SHOWN. ADDITIONAL HOLES MUST BE DRILLED THROUGH THE BOTTOM RAIL ENDS TO INSURE THAT CARRIAGE BOLTS PASS THROUGH THE BOTTOM RAIL AS SHOWN.
- D. USE GALVANIZED STEEL MATERIALS.
- E. REFER TO STRUCTURAL PLANS FOR DETAIL OF THE INSTALLATION OF THE CHAIN-LINK FENCE POSTS LOCATED ON TOP OF RETAINING WALL.

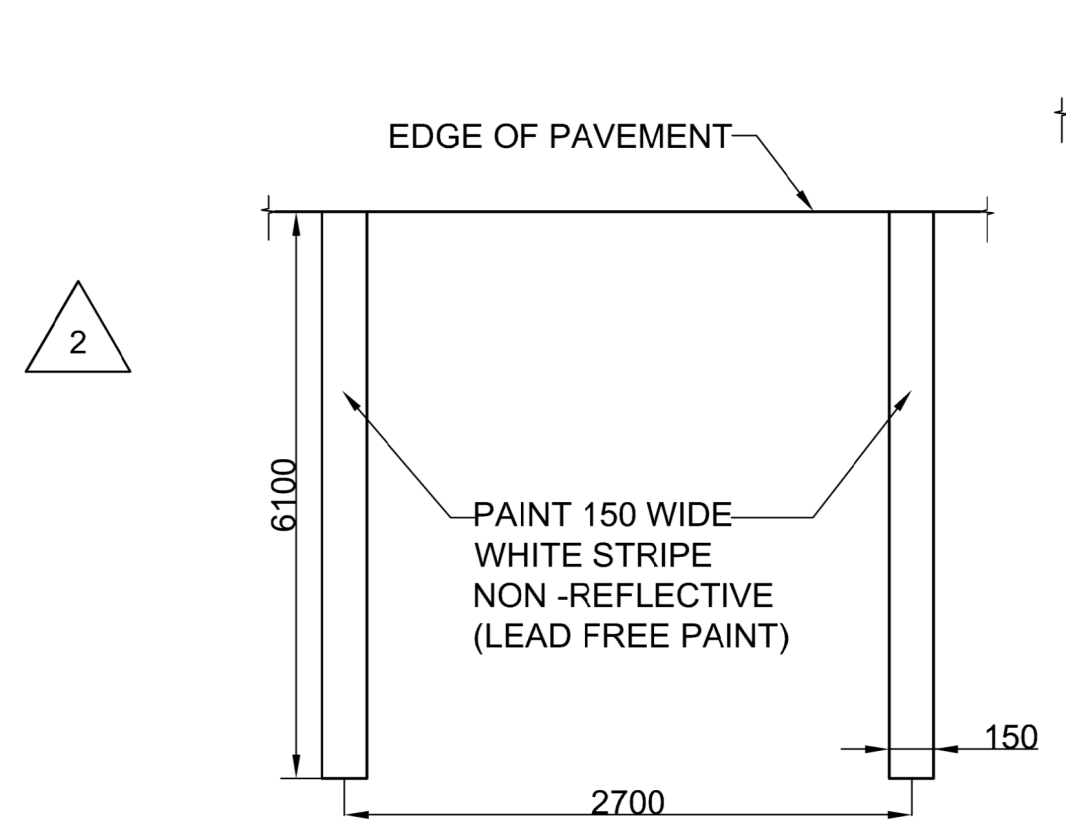


BOTTOM RAIL DETAILS

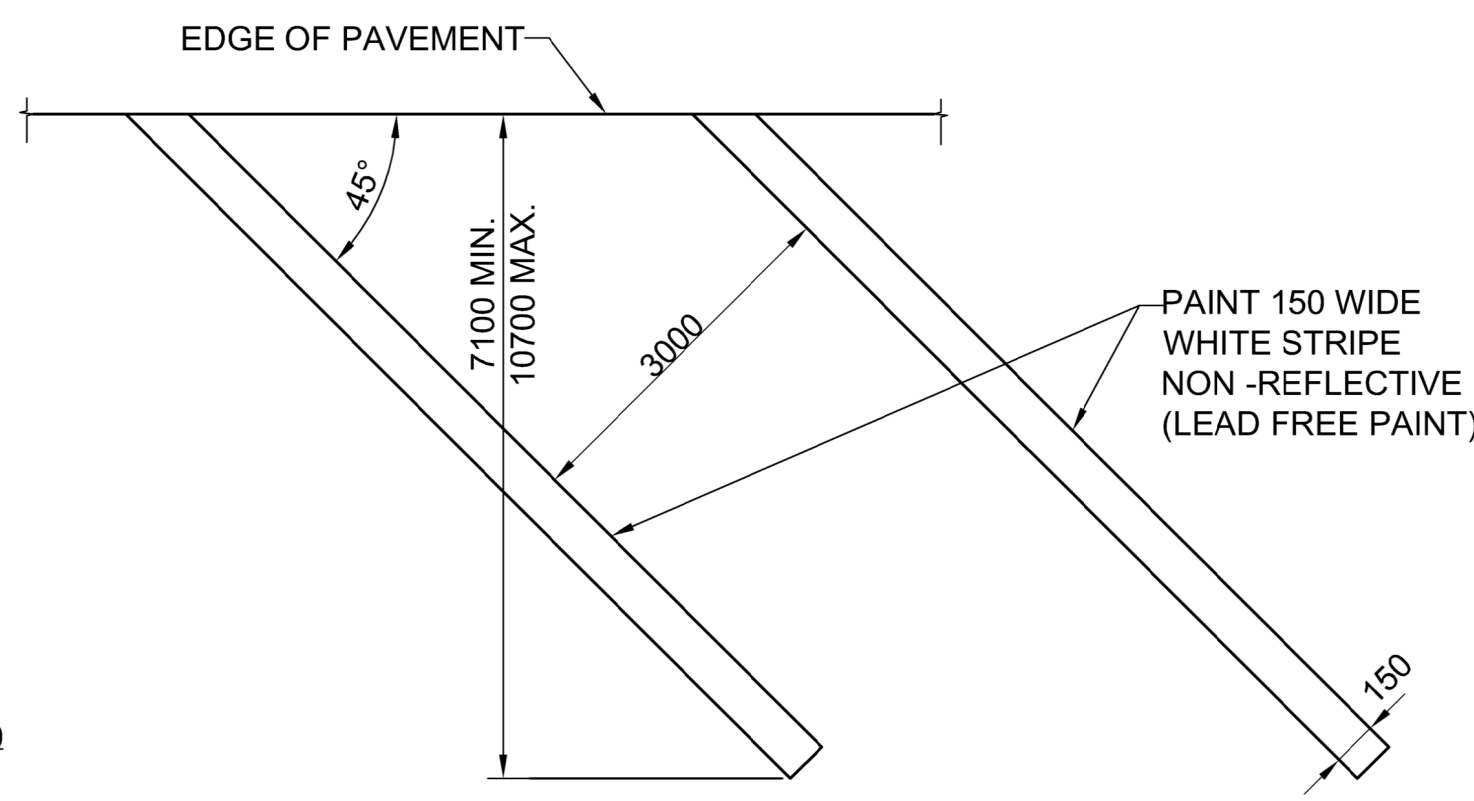


FASTENING DETAILS

D1 CHAIN-LINK FENCE DETAILS
SCALE: NTS



CWMS, TWMS, TFMA, MAFA, ECP1 AND ECP2 PARKING STALLS



BOMB BUILD / READY TRAILER AND TMFA PARKING STALLS

- KEYNOTES:**
1. STEEL BARBED-TAPE CONCERTINA (BARBS OMITTED FOR CLARITY).
 2. BOTH TAPE COILED TIED TO TOP BARBED WIRED AT EVERY SPIRAL TURN ON BOTH SIDES OF OUTRIGGER.
 3. TEN (10) PLAIN PIN RIVETED FLUSH (TYP.)
 4. LOCK PIN (TYP.)

